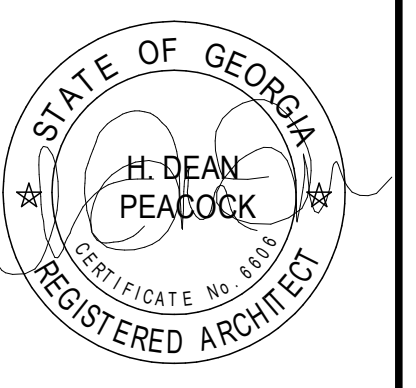




PEACOCK
architects

5525 INTERSTATE NORTH PKWY
ATLANTA GEORGIA 30328
404 - 214 - 5200 PHONE
404 - 214 - 5208 FAX

**THE FORUM
RENOVATION PHASE II**
301 TRIBUNE STREET
ROME, GA 30161

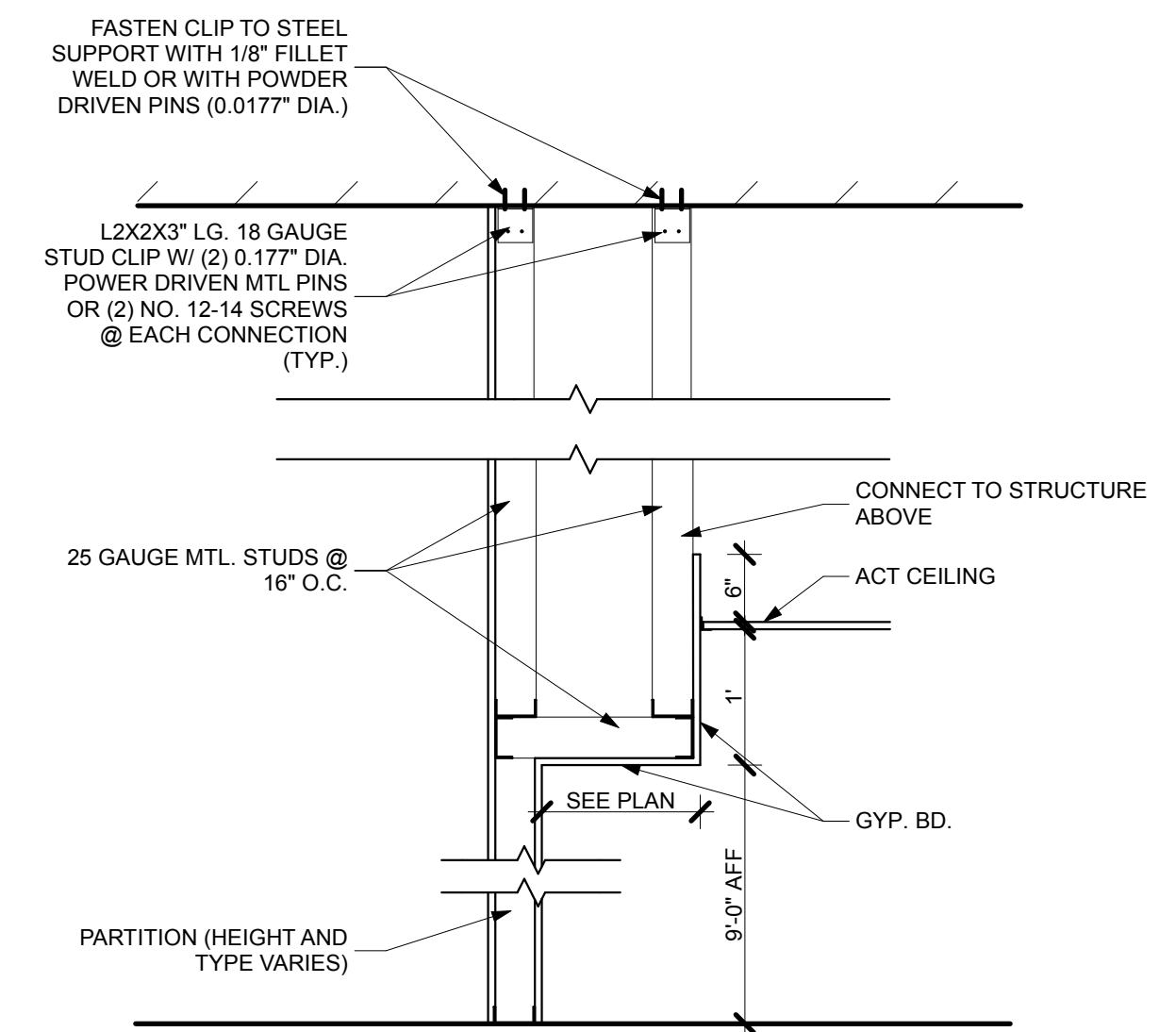


DATE	REVISION
11/09/16	ISSUED FOR CONSTRUCTION
12/29/16	ADDENDUM 1

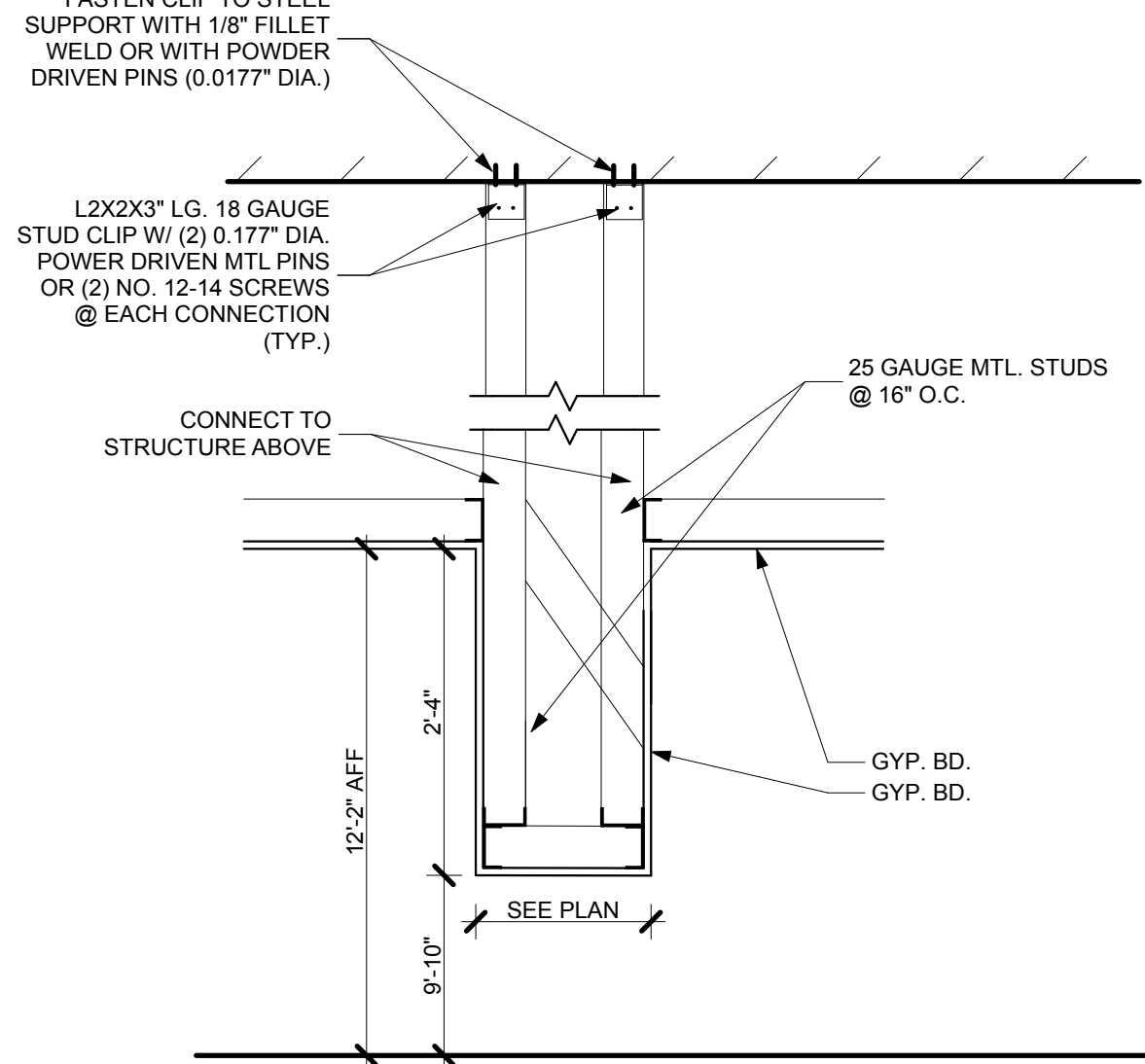
PROJECT NO:
420.01.01
DATE:
12/28/2016
DRAWING TITLE:
REFLECTED CEILING PLAN
DETAILS

A3.31

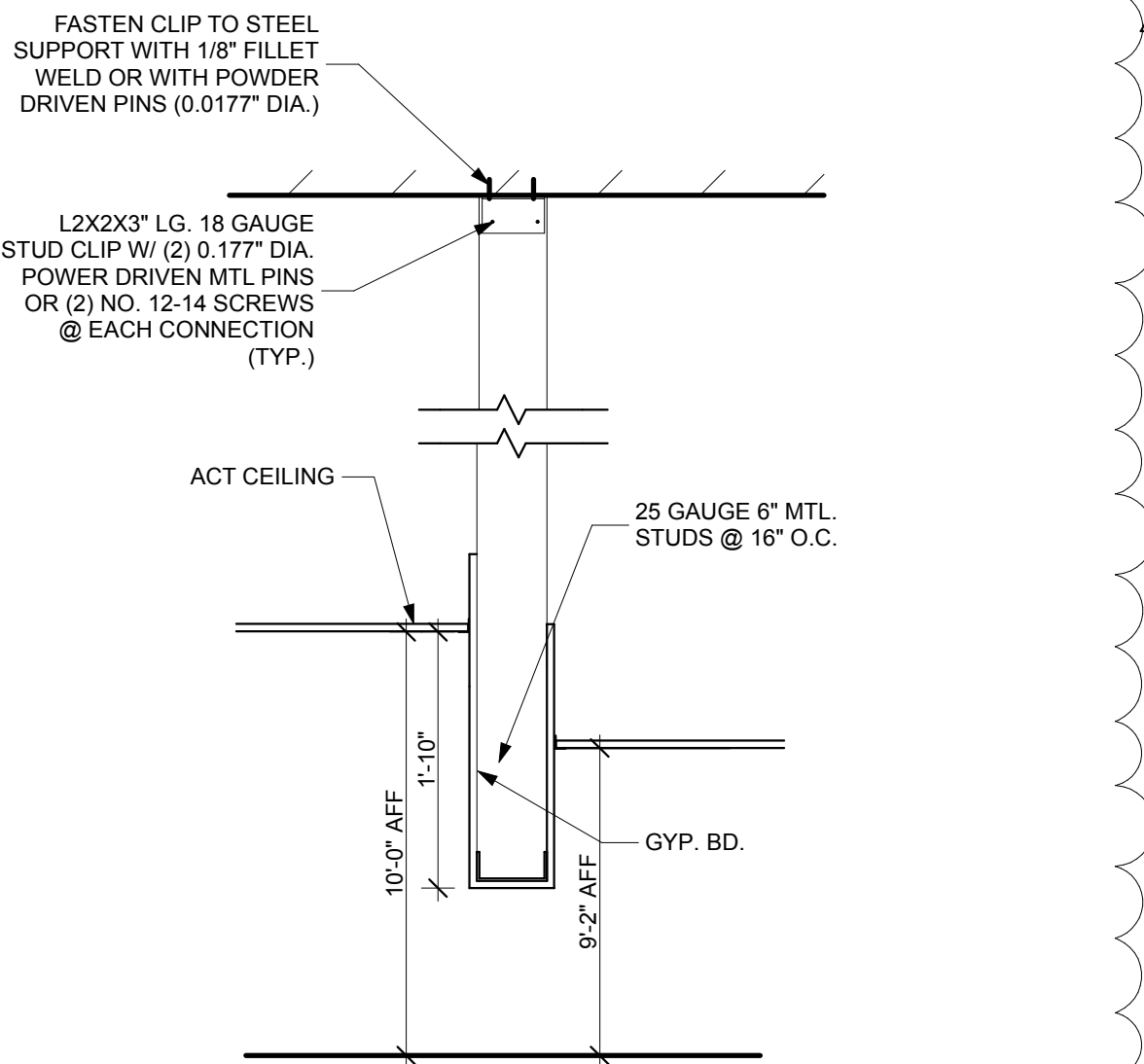
THIS DRAWING AND ANY REPRODUCTIONS ARE THE PROPERTY AND COPYRIGHT OF PEACOCK ARCHITECTS, INC. AND MAY NOT BE USED IN ANY MANNER WITHOUT THE EXPRESSED WRITTEN PERMISSION OF PEACOCK ARCHITECTS, INC.



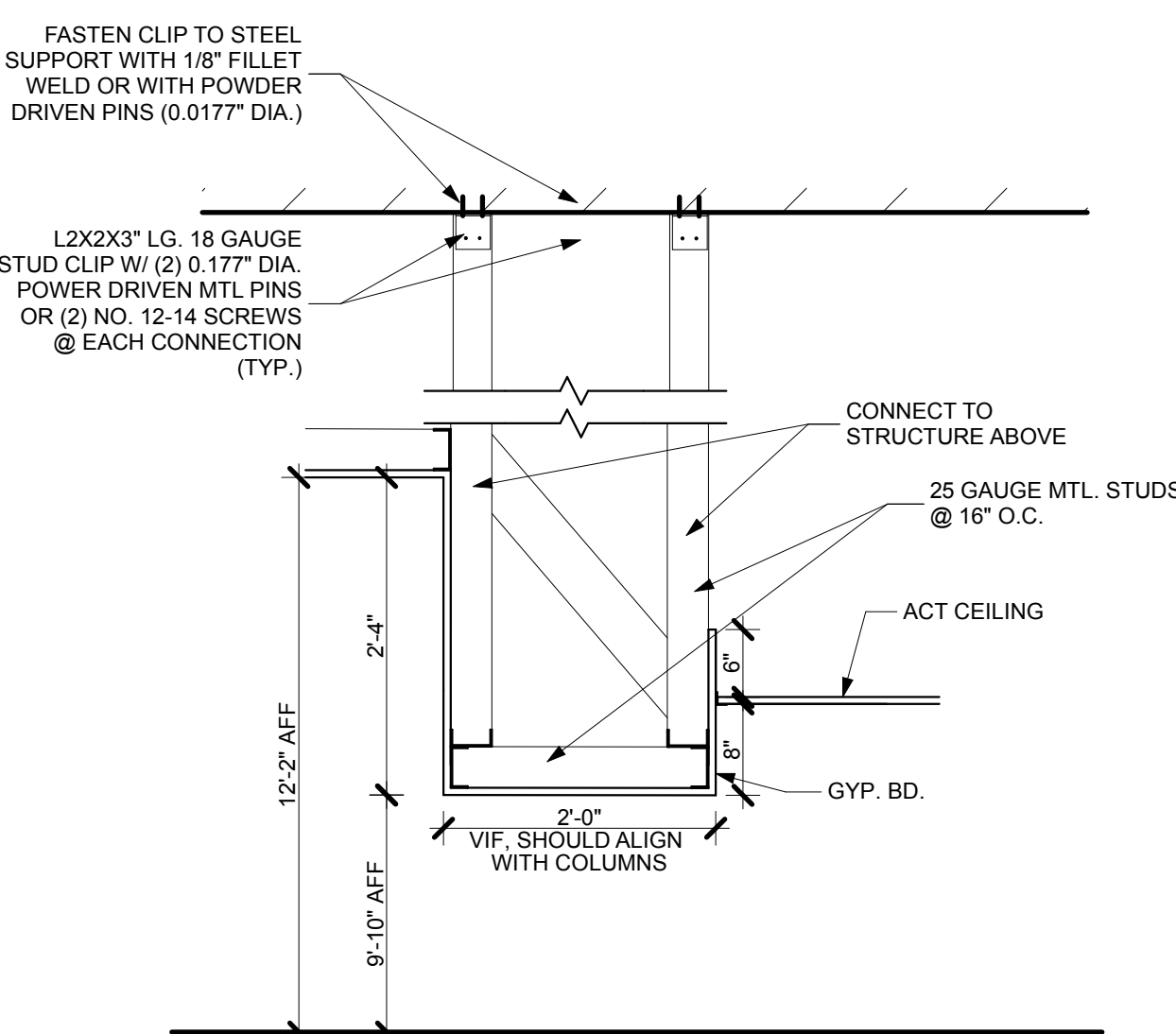
8 SOFFIT 8
A3.31 SCALE: 3/4" = 1'-0"



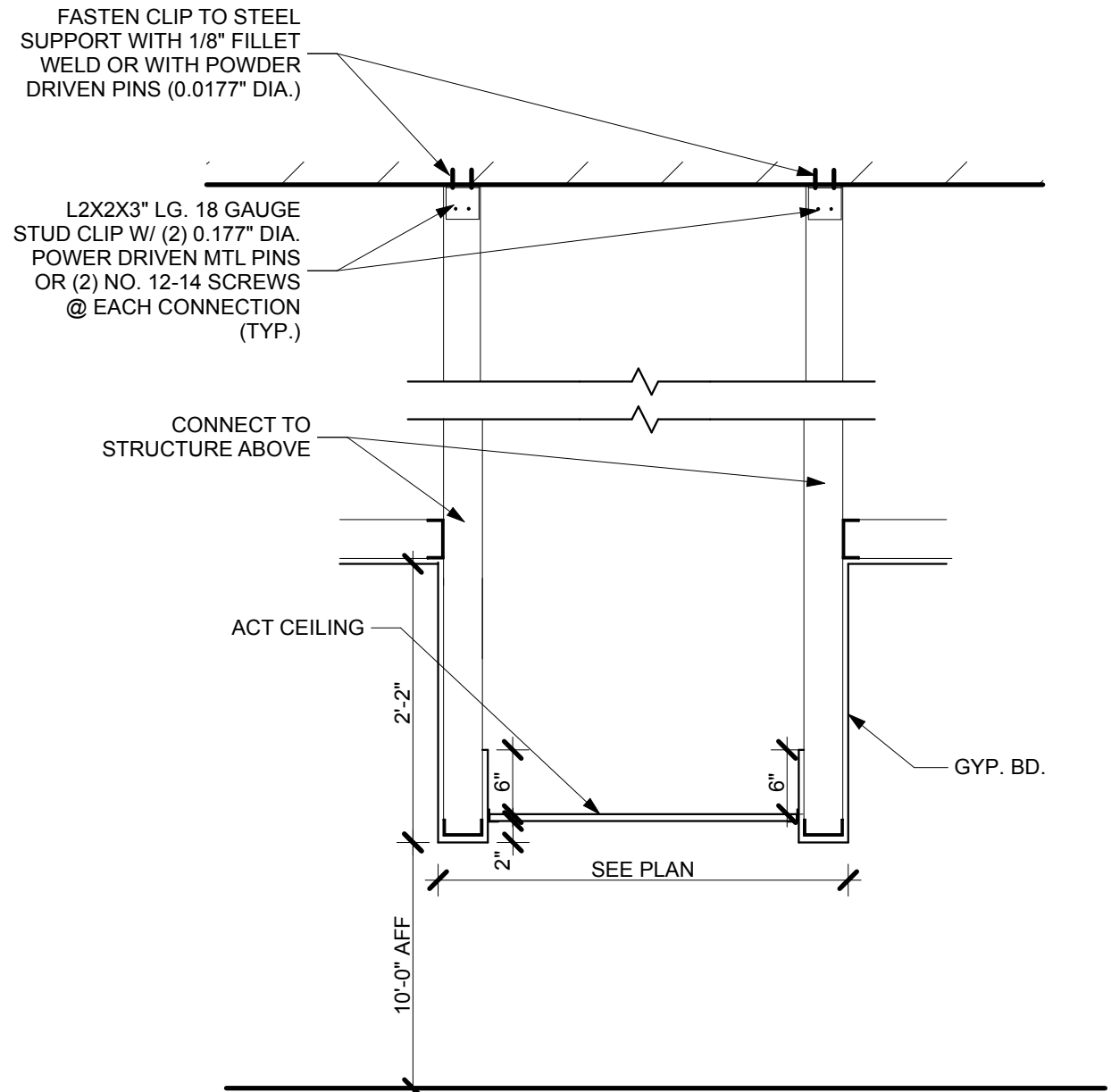
6 SOFFIT 6
A3.31 SCALE: 3/4" = 1'-0"



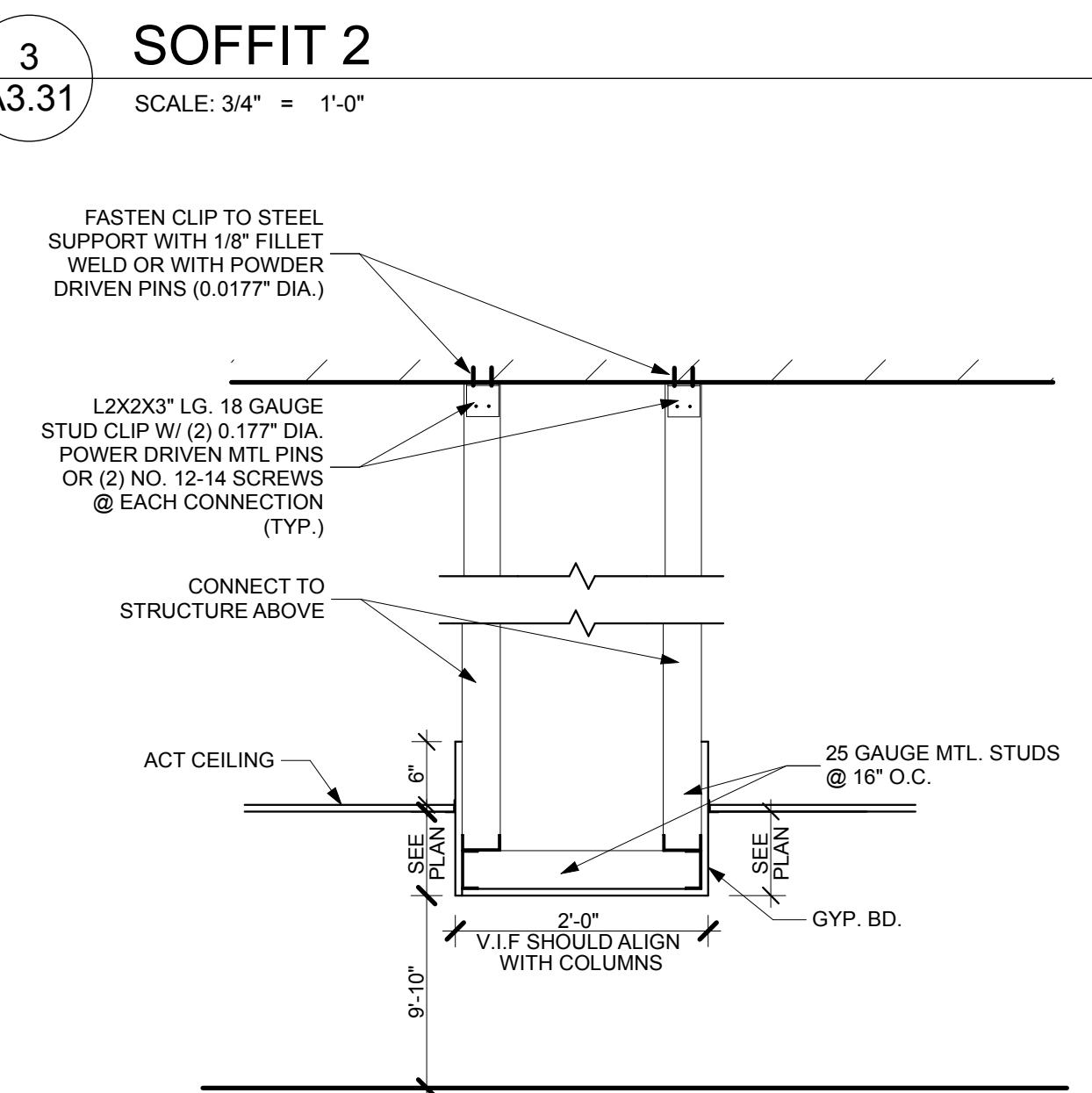
5 SOFFIT 5
A3.31 SCALE: 3/4" = 1'-0"



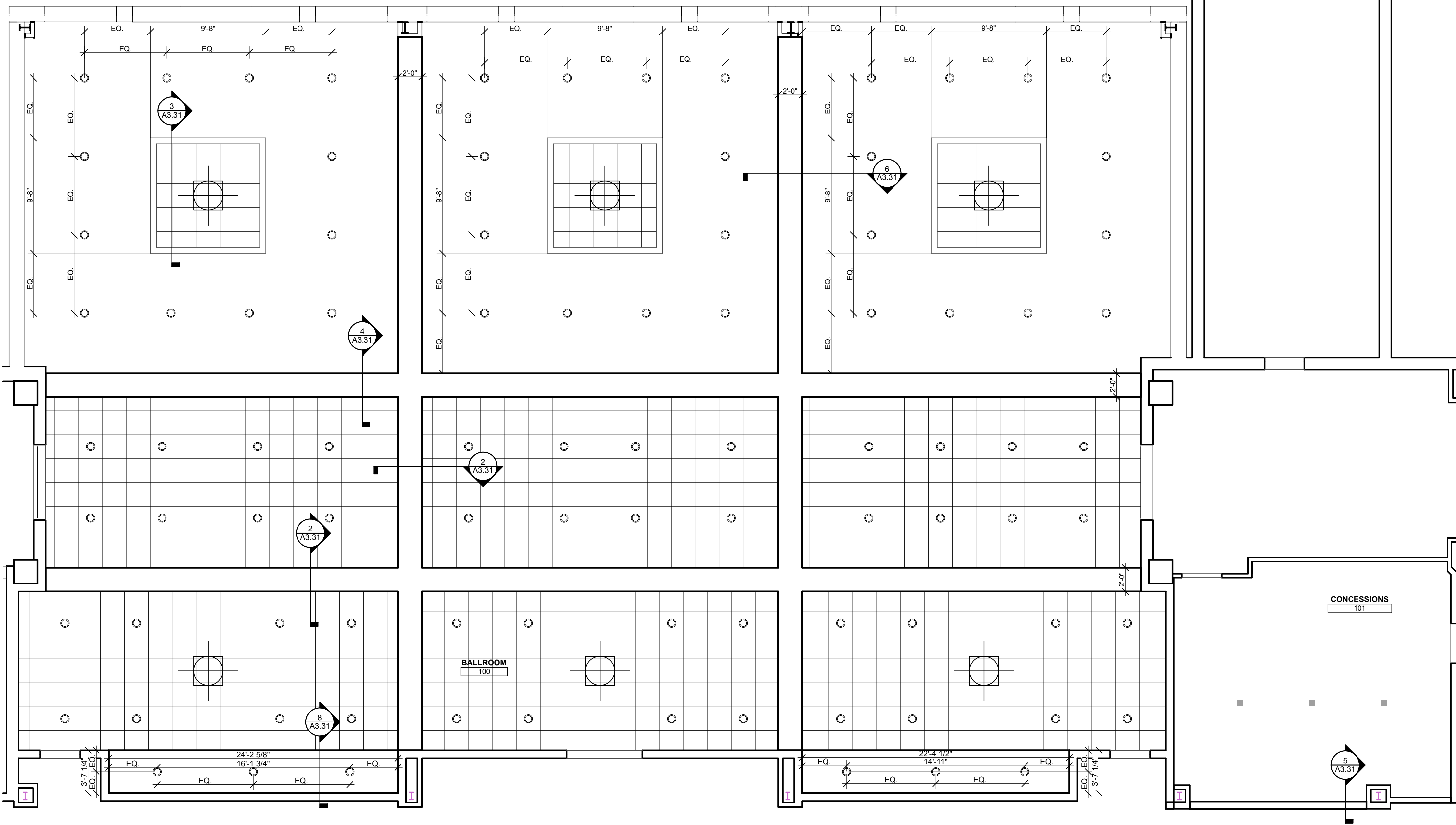
4 SOFFIT 4
A3.31 SCALE: 3/4" = 1'-0"



3 SOFFIT 3
A3.31 SCALE: 3/4" = 1'-0"



2 SOFFIT 2
A3.31 SCALE: 3/4" = 1'-0"



1 CEILING PLAN DETAIL
A3.31 SCALE: 3/16" = 1'-0"

J:\420.01 The Forum\CD\S\BALLROOM AND CONCESSIONS\420.01.01 BALLROOM AND CONCESSIONS CD SET.pln